

CERTIFIED SAMPLES FOR IRHD-N HARDNESS TESTING

GIBITRE INSTRUMENTS PROVIDES CERTIFIED SAMPLES FOR IRHD-N
HARDNESS VERIFICATION



Overview

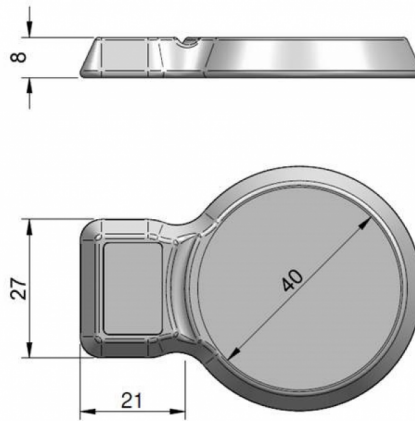
The use of certified samples permits to perform **periodical verification of the conformity of the reading of your hardness testers in the period between two calibrations.**

Periodical verification is useful considering the importance of hardness as a testing parameter.

Characteristics of the product

Gibitre test pieces

- **have a shape that** allows them to be manipulated and **avoids transmitting the heat** of the hand to the measuring zone
- are supplied with a **wooden protection box** that protects them from sudden changes in temperature and sunlight
- are supplied with a **Calibration Report referring to the certified instrument used** for the measurement.



Available Configurations

The following configurations are available:

- **Complete box containing 3 specimens** with approximate hardnesses of 40 - 50 - 60 - 80 - 90 IRHD points.
- **Box containing one sample** with hardness of your choice among those available.



Calibration Report

The samples are provided with **Calibration Certificate with traceability to the hardness tester used for the measurements with Official Accredia Certificate** issued by ISO 17025-Accredited Laboratory of Gibitre Instruments.

Sample Identification	Minimum Acceptable Value	Maximum Acceptable Value
	irhd	irhd
PHM2020055-1	42,6	46,6
PHM2020055-2	56,1	60,1
PHM2020055-3	63,4	67,4
PHM2020055-4	77,5	81,5
PHM2020055-5	87,7	91,7

NO YES	HUMIDITY 20-10 100%	TEMPERATURE TEST +23°C 1°C	DON'T TOUCH
-----------	------------------------	----------------------------------	-------------

Unique Sample Identification

Specimens are individually identified by an identification label to ensure proper calibration traceability and avoid measurement errors.



Protection Box

The samples are provide with an insulated protection case that permits the protection of the samples from temperature variations and from the light.

Shape of the samples	The shape of the samples has been developed to permit easy handling without heat transmission to the test area
Protection Box	The wooden box ensures protection against light and temperature variations
Sample identification	The samples have unique identification code to permit the traceability of the calibration
Number of samples	The complete box includes 5 samples. Single samples can be provided
Calibration Report	The calibration report is issued by Gibitre Instruments and includes the traceability to the officially-calibrated hardness tester used for the measures
Duration of the Calibration	12 months



GIBITRE INSTRUMENTS

VIA DELL'INDUSTRIA, 18

BERGAMO (ITALY)

TE. +39 035 461146

WWW.GIBITRE.IT

INFO@GIBITRE.IT

COPYRIGHT GIBITRE INSTRUMENTS